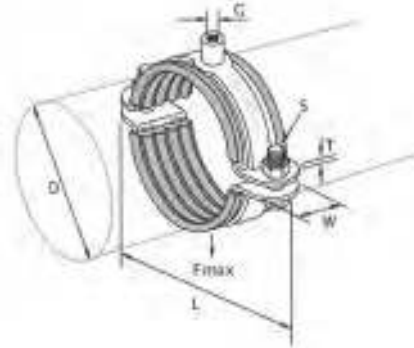


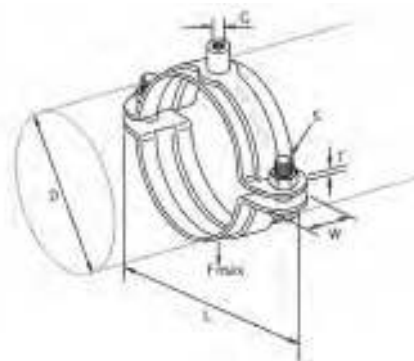
ΣΤΗΡΙΓΜΑΤΑ ΒΑΡΕΩΣ ΤΥΠΟΥ

ΣΤΗΡΙΓΜΑΤΑ ΜΕ ΛΑΣΤΙΧΟ ΔΙΑΙΡΟΥΜΕΝΑ ΤΥΠΟΥ UNICLIP SOLID-R



Κωδικός	Διάσταση (in)	Διάσταση (mm)	Σπείρωμα (G)	Πλάτος W (mm)	Πάχος T (mm)	Fmax KN	€ / Τεμ.
UNI-R 01	3/8"	14 - 18	M 8 / M10	25,0	2,2	4,0	
UNI-R 02	1/2"	19 - 23	M 8 / M10	25,0	2,2	4,0	
UNI-R 03	3/4"	24 - 28	M 8 / M10	30,0	2,5	4,0	
UNI-R 04		29 - 33	M 8 / M10	30,0	2,5	4,0	
UNI-R 05	1"	33 - 37	M 8 / M10	30,0	2,5	4,0	
UNI-R 06	1 1/4"	40 - 45	M 8 / M10	30,0	2,5	4,0	
UNI-R 07	1 1/2"	47 - 52	M 8 / M10	30,0	2,5	4,0	
UNI-R 08		53 - 58	M 8 / M10	30,0	2,5	4,0	
UNI-R 09	2"	60 - 65	M 8 / M10	30,0	2,5	4,0	
UNI-R 10		67 - 72	M10 / M12	30,0	3,0	5,0	
UNI-R 11	2 1/2"	73 - 78	M10 / M12	30,0	3,0	5,0	
UNI-R 12		79 - 85	M10 / M12	30,0	3,0	5,0	
UNI-R 13	3"	88 - 93	M10 / M12	30,0	3,0	5,0	
UNI-R 14		94 - 99	M10 / M12	30,0	3,0	5,0	
UNI-R 15		100 - 106	M10 / M12	30,0	3,0	5,0	
UNI-R 16	4"	108 - 116	M10 / M12	30,0	3,0	5,0	
UNI-R 17		117 - 123	M10 / M12	30,0	3,0	5,0	
UNI-R 18		124 - 129	M12 / M16	40,0	4,0	8,0	
UNI-R 19		131 - 137	M12 / M16	40,0	4,0	8,0	
UNI-R 20	5"	138 - 145	M12 / M16	40,0	4,0	8,0	
UNI-R 21		148 - 154	M12 / M16	40,0	4,0	8,0	
UNI-R 22		156 - 162	M12 / M16	40,0	4,0	8,0	
UNI-R 23	6"	165 - 171	M12 / M16	40,0	4,0	8,0	
UNI-R 24		177 - 183	M12 / M16	40,0	4,0	8,0	
UNI-R 25		188 - 194	M12 / M16	40,0	4,0	8,0	
UNI-R 26		196 - 203	M12 / M16	40,0	4,0	12,5	
UNI-R 27		205 - 214	M12 / M16	40,0	4,0	12,5	
UNI-R 28	8"	219 - 225	M12 / M16	40,0	4,0	12,5	
UNI-R 29		226 - 243	M12 / M16	40,0	4,0	12,5	
UNI-R 30		244 - 250	M12 / M16	40,0	4,0	12,5	
UNI-R 31		251 - 264	M12 / M16	40,0	4,0	12,5	
UNI-R 32	10"	265 - 273	M12 / M16	40,0	4,0	12,5	
UNI-R 33		285 - 295	M12 / M16	40,0	4,0	12,5	
UNI-R 34		299 - 305	M12 / M16	40,0	5,0	12,5	
UNI-R 35	12"	323,9	M16	50,0	5,0	15,0	
UNI-R 36	14"	355,6	M16	50,0	5,0	15,0	
UNI-R 37		368,0	M16	50,0	5,0	15,0	
UNI-R 38	16"	406,4	M16	50,0	5,0	15,0	
UNI-R 39		419,0	M16	70,0	7,0	15,0	
UNI-R 40	20"	508,0	M16	70,0	7,0	15,0	
UNI-R 41		521,0	M16	70,0	7,0	15,0	

ΣΤΗΡΙΓΜΑΤΑ ΧΩΡΙΣ ΛΑΣΤΙΚΟ ΔΙΑΙΡΟΥΜΕΝΑ ΤΥΠΟΥ UNICLIP SOLID-N



Κωδικός	Διάσταση (in)	Διάσταση (mm)	Σπείρωμα (G)	Πλάτος W (mm)	Πάχος T (mm)	Fmax KN	€/ Τεμ.
UNI-N 01	1/2"	20 - 24	M 8 / M10	25,0	2,2	4,0	
UNI-N 02	3/4"	25 - 30	M 8 / M10	25,0	2,2	4,0	
UNI-N 03	1"	31 - 35	M 8 / M10	30,0	2,5	4,0	
UNI-N 04		36 - 41	M 8 / M10	30,0	2,5	4,0	
UNI-N 05	1 1/4"	40 - 45	M 8 / M10	30,0	2,5	4,0	
UNI-N 06	1 1/2"	48 - 53	M 8 / M10	30,0	2,5	4,0	
UNI-N 07		54 - 59	M 8 / M10	30,0	2,5	4,0	
UNI-N 08	2"	60 - 65	M 8 / M10	30,0	2,5	4,0	
UNI-N 09		67 - 72	M 8 / M10	30,0	2,5	4,0	
UNI-N 10	2 1/2"	76 - 81	M10 / M12	30,0	3,0	5,0	
UNI-N 11		82 - 85	M10 / M12	30,0	3,0	5,0	
UNI-N 12	3"	88 - 94	M10 / M12	30,0	3,0	5,0	
UNI-N 13		95 - 102	M10 / M12	30,0	3,0	5,0	
UNI-N 14		102 - 108	M10 / M12	30,0	3,0	5,0	
UNI-N 15	4"	110 - 116	M10 / M12	30,0	3,0	5,0	
UNI-N 16		117 - 124	M10 / M12	30,0	3,0	5,0	
UNI-N 17		124 - 129	M10 / M12	30,0	3,0	5,0	
UNI-N 18		133 - 140	M12 / M16	40,0	4,0	8,0	
UNI-N 19	5"	140 - 146	M12 / M16	40,0	4,0	8,0	
UNI-N 20		149 - 155	M12 / M16	40,0	4,0	8,0	
UNI-N 21		159 - 165	M12 / M16	40,0	4,0	8,0	
UNI-N 22	6"	167 - 173	M12 / M16	40,0	4,0	8,0	
UNI-N 23		176 - 182	M12 / M16	40,0	4,0	8,0	
UNI-N 24		188 - 194	M12 / M16	40,0	4,0	8,0	
UNI-N 25		199 - 205	M12 / M16	40,0	4,0	12,5	
UNI-N 26		207 - 216	M12 / M16	40,0	4,0	12,5	
UNI-N 27	8"	219 - 226	M12 / M16	40,0	4,0	12,5	
UNI-N 28		227 - 236	M12 / M16	40,0	4,0	12,5	
UNI-N 29		244 - 250	M12 / M16	40,0	4,0	12,5	
UNI-N 30		251 - 261	M12 / M16	40,0	4,0	12,5	
UNI-N 31	10"	267 - 273	M12 / M16	40,0	4,0	12,5	
UNI-N 32		278 - 284	M12 / M16	40,0	4,0	12,5	
UNI-N 33		297 - 304	M12 / M16	40,0	4,0	12,5	
UNI-N 34		305 - 316	M12 / M16	40,0	4,0	12,5	
UNI-N 35	12"	323,9	M16	50,0	5,0	15,0	
UNI-N 36	14"	355,6	M16	50,0	5,0	15,0	
UNI-N 37		368,0	M16	50,0	5,0	15,0	
UNI-N 38	16"	406,4	M16	50,0	5,0	15,0	
UNI-N 39		419,0	M16	70,0	7,0	15,0	
UNI-N 40	20"	508,0	M16	70,0	7,0	15,0	
UNI-N 41		521,0	M16	70,0	7,0	15,0	